

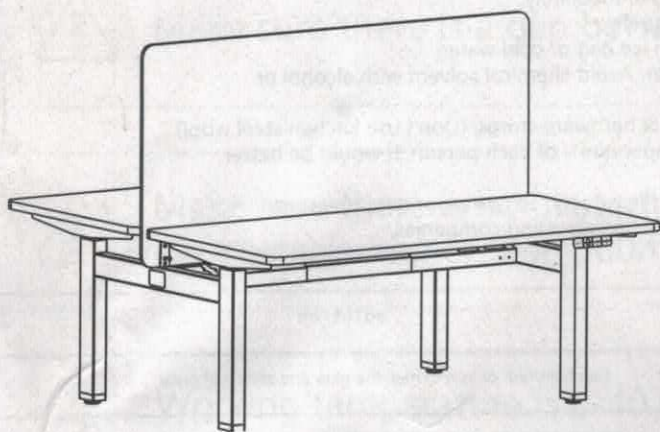
# Sunon 圣奥

Using instruction:

Thanks for buying this product.  
Please read this instruction carefully before using.

## Product introduction

Series : UP1 series  
 Model : DZZ68-2. 175122/DZZ69-2. 175122/  
 DZZ50-2. 175137/DZZ51-2. 175137  
 Name : Opposite lift desk  
 Dimension: 1150-1750\*1224/1374\*695-1185/605-1245  
 Lower frame color: Matt white, Matt black, Meteor grey  
 Material: fireproof veneer + cold-rolled steel



This product is used for office.  
Decorations should be used indoor.

Zhejiang Sunon Furniture Manufacture Co., Ltd  
 Service Hotline: 4008-600-666  
 Website: www.sunon-china.com

Headquarters Address: Sunon Central Buisness Building, No. 200 Citizen Street, Qianjiang CBD, Hangzhou, Zhejiang  
 Manufacturing Base: No. 35, Ningdong Road, Economic and Technological Development Zone, Xiaoshan District, Hangzhou, Zhejiang  
 Manufacturing Base: No. 6, Anren Road, Jianshan Economic and Technological Development Zone, Haining, Zhejiang

## Main features:

### Standards:

GB 18580-2017	Formaldehyde emission limit of indoor decorating material-artificial board and products made of it
GB/T 22792.1-2009	Office furniture screen section1: dimension
GB/T 22792.2-2008	Office furniture screen section2: safety requirements
HJ 2547-2016	Technical requirements of environment label products furniture
HJ 571-2010	Technical requirements of environment label products artificial board and products made of it

## Warranty:

Sunon strictly implements the national "three guarantees" policy (glass and mirror are not included).  
 The warranty lasts one year(specials are not included), responses will be given within 24 hours.

- The warranty is only valid in China.
- Damage caused by improper use is not covered by the warranty.
- Damage caused by fire or a natural disaster is not covered by the warranty.

## Using instruction:

Please read this instruction carefully before using this furniture. To extend its longevity, please use and maintain it properly. Things of notice:

- Don't put furniture directly under sunlight or near AC vent or radiator to avoid color fading, shedding edge band or even distortion.
- Don't tilt desk or chair to avoid broken feet or loose connection.
- Don't put hot or icy objects directly on it to avoid color change or indelible marks.
- Don't push items on furniture directly to avoid scratches.
- Lift the furniture for about 10 mm off the ground when it has to be removed as a whole to avoid possible damages to the bottom and connector part.
- It is suggested to put a soft cloth underneath if you want to lay heavy or hard items on the furniture.
- Use a soft cotton cloth or feather duster for cleaning and maintenance.
- Use detergent specially designed for furniture instead of chemical detergent or acid liquid for lampblack and other stain removal.

### Simple malfunction analysis and solution

#### Remove stains

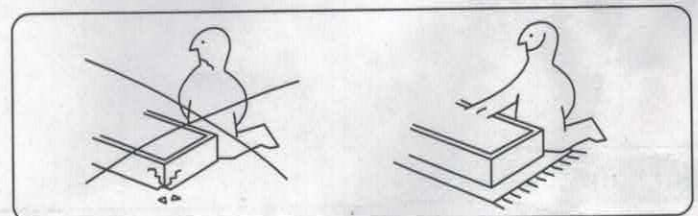
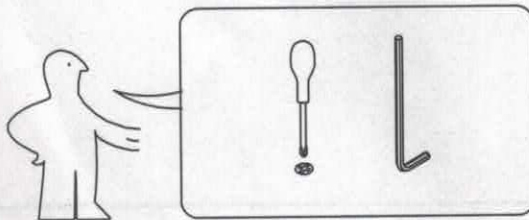
- paper mark: Immerse paper in salad oil and wait several minutes. Wipe the furniture with furniture-used steel wool along the grain and then polish it.
- food stain: Stain of tea, vegetable, fruit, butter leaves slight traces on the surface and should be wiped out immediately.
- paint: For water-based paint, use soft and wet cloth to wipe it; for oil paint, let it dry up naturally and gently shave it with a blunt spatula or hard cards.
- nail polish/nail polish remover: As chemical solvent, they should be wiped immediately.
- alcohol: If perfume/cocktail/medicine liquid spills out, let them dry up naturally.
- chewing gum: Shave it with blunt spatula or hard card after cooling it with ice bag or cold water.
- ball-pen/ink mark: Use soft eraser to rub it or sprinkle several drips of water. Avoid chemical solvent with alcohol or high corrosive ability.
- suggestion: Furniture-used steel wool can be bought at building material & hardware stores. (Don't use kitchen steel wool).
- note: The above suggestions may bring different results due to different operations of each person. It would be better if you can test it in inconspicuous area first.
- There may be cases as listed in the following list after long time of using. Please refer to correspondent measures.
- If your product is updated with new ones, please hand old products to qualified recycling companies.

malfunction	reason	solution
the banding edge is loose	environment	use hairdryer or iron to melt the glue and stick it at once
drawers can't be opened smoothly	lubricating oil is drying up	remove the drawer out, add lubricating oil or wax to the slide
uneven desktop	the adjustment leg is not properly adjusted	adjust it accordingly
sliding door slides out of the side panel	sliding door positioning parts are loosening or sliding door top bead slides down	return the sliding door positioning parts and sliding door top beads to original positions

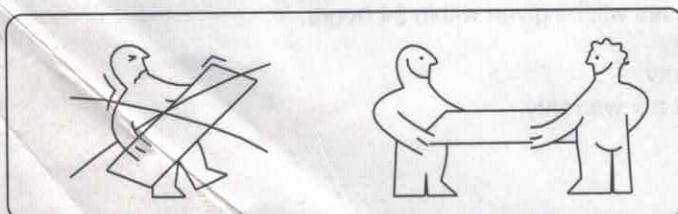
## Assembly instruction:

- Please determine the location of your furniture before assembly to avoid moving them for a large distance after being assembled.
- Do not place your furniture in dark and damp or hot and dry environment.
- Please check the number of packaging bags, view the product installation manual and verify the product structure.
- Please check the direction of each part when unpacking them before installation.
- Please install the product patiently. Make sure each part is in the right position. Furniture is easy to assemble, but it needs patience and care to make every part in place.
- Please check the stability of the furniture after installation. Shake your furniture gently to confirm whether it is level with the ground or whether the screw is tight.
- Please keep the furniture open for a period of time to release residual painting smell.

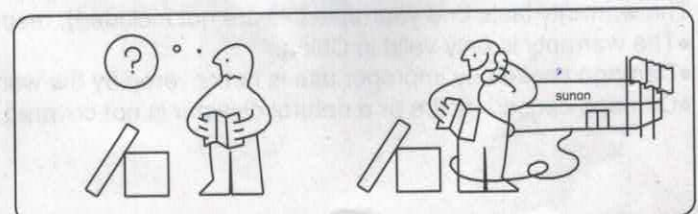
### Note:



② Handle it with care. Use a protective layer.



① Move it carefully with at least 2 people.



③ Contact Sunon if you have any questions.

## Caution



Make sure children and pets are away from the product when it is operating. Please unplug it when there is thunder and lightning or long-time no-use.



Make sure there is a gap between desk and wall.



Make sure there is no obstacle during operation. No obstacle higher than 500mm is allowed under the desk.



Working temperature is 0-40 degrees. The product should be away from erosive gas, liquid or dusty objects.



Disassemble the product yourself may cause a malfunction to product and cause a damage to human body.



To avoid unnecessary damage to human body, make sure your hands and other body parts are placed at safe positions during operation in spite of the anti-bumping function of this product. When reset manually, this function won't be activated.



Please read instructions carefully before using this product. We won't take responsibility for product damages or human injuries caused by improper operations.

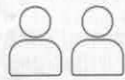


When use it for the first time, or use it after a power-off, please reset manually and after that carry out relevant operations.

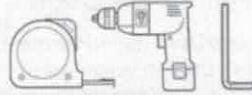
# Component list

**30** min

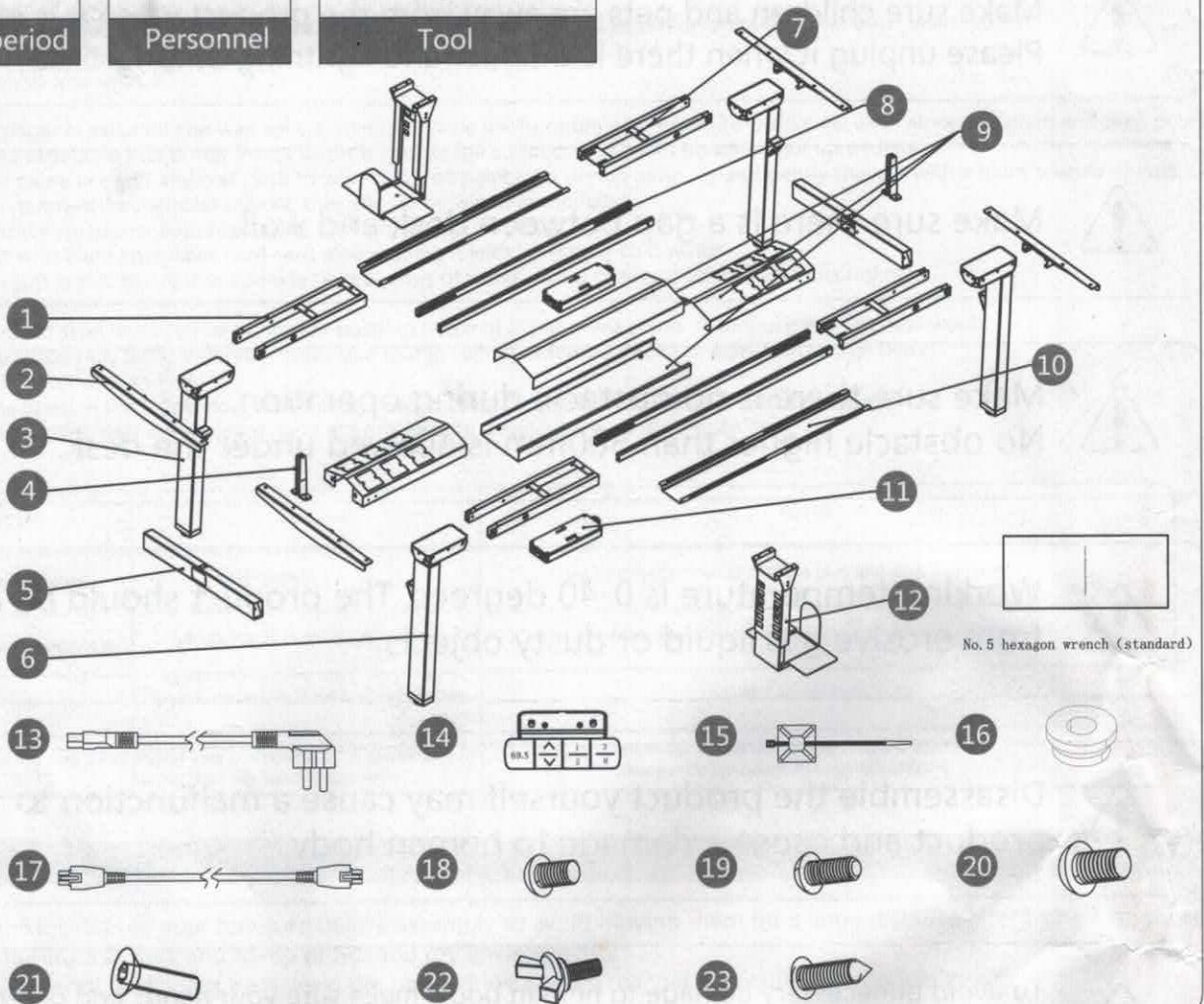
Time period



Personnel



Tool



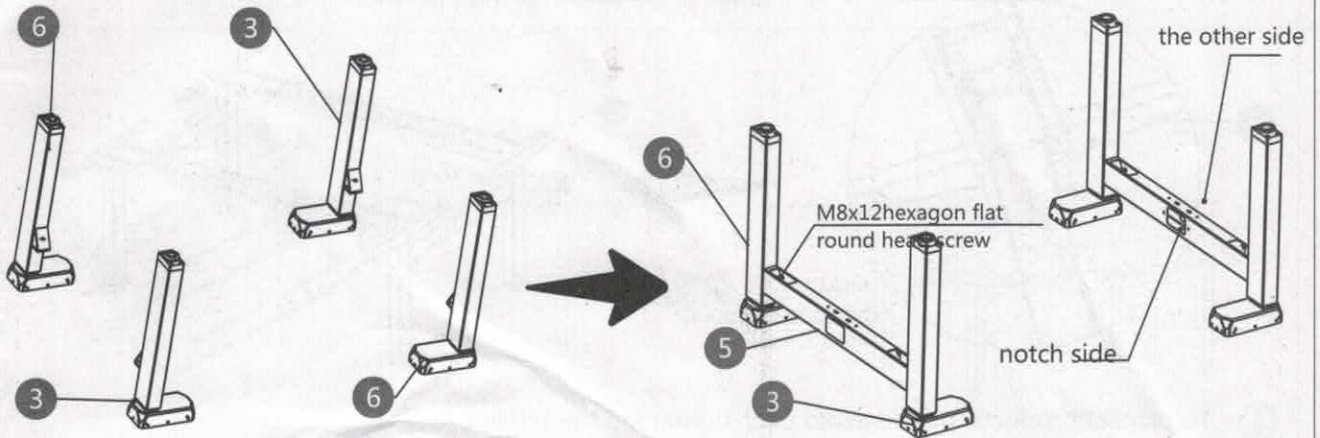
No.	Component name	Amount(PCS)
1	frame(with holes)	2
2	side panel	4
3	lift pole right	2
4	screen clip	4
5	beam	2
6	lift pole left	2
7	frame with controller ( with holes )	2
8	connecting pole	4
9	extensive wire slot	1
10	wire supporter	2
11	controller	2
12	main frame supporter ( optional )	2

No.	Component name	Amount(PCS)
13	power cord	2
14	hand controller	2
15	wire clip	20
16	soft rubber mat	22
17	extension wire	2
18	M6x10hexagon flat round head screw	32
19	M6x14hexagon flat round head screw	38
20	M8x12hexagon flat round head screw	4
21	M6x20hexagon flat round head screw	4
22	butterfly-shape screw	4
23	ST4.2*16 tapping screw	4

# Assembly instruction

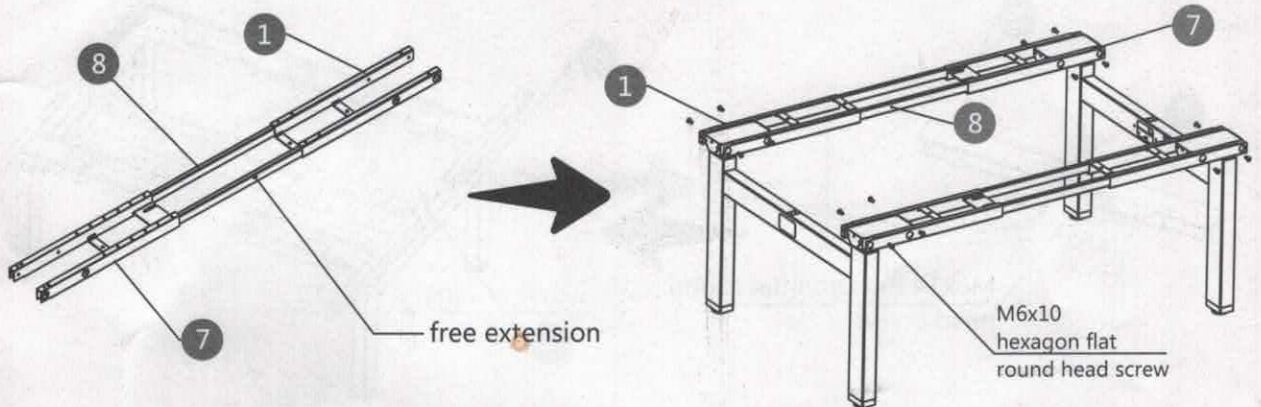
## STEP 1

- Prepare standing pole left and standing pole right.
- Use two M8\*12 hexagon flat round head screws to install beam. ( 4pcs )



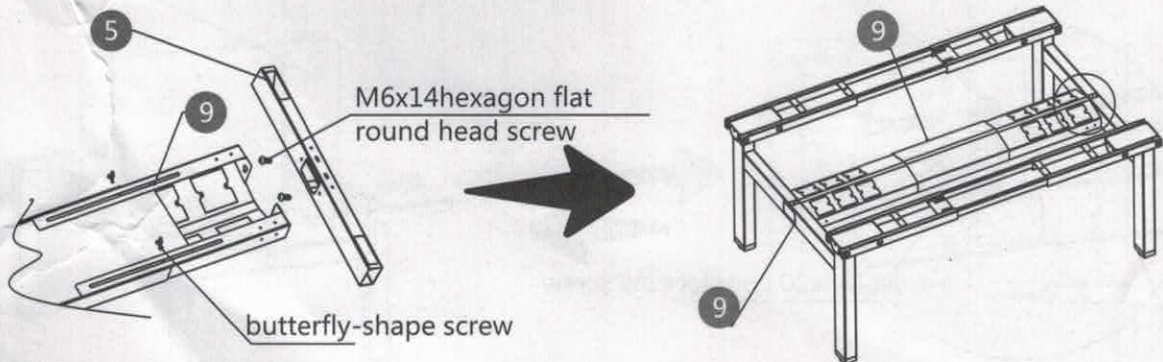
## STEP 2

- Use four M6\*10 hexagon flat round head screws to fix frame with bottom case of standing pole, and adjust frame to appropriate length based on desktop dimension and the position of pre-reserved holes(16pcs)



## STEP 3

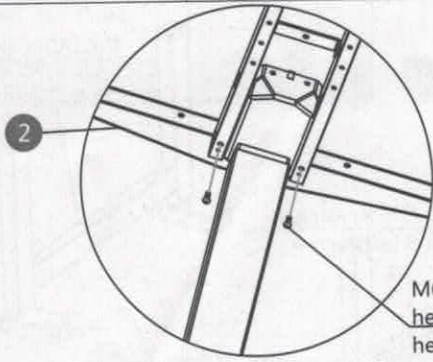
- Use two M6\*14 hexagon flat round head screws to fix extension wire slot to the beam (4pcs).
- Adjust extension wire slot to adapt to beam, tighten the four pre-installed butterfly-shape screws.(4pcs)



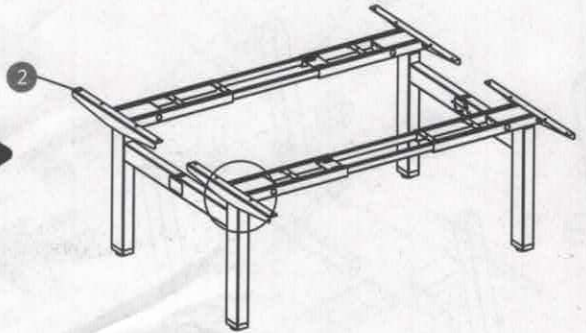
# Assembly instruction

## STEP 4

- Lift stand pole and insert side panel into frame.
- Use two M6\*14 hexagon flat round head screws to fix side panel.(8pcs)



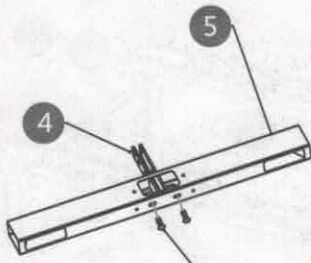
M6x14  
hexagon flat round  
head screw



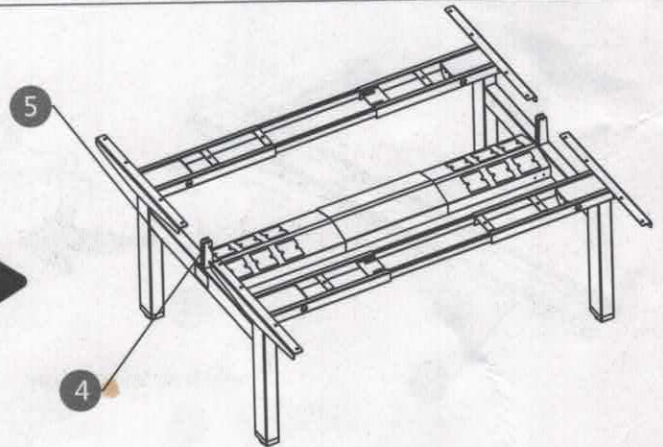
ⓘ To protect products, please avoid over-tightening the screw.

## STEP 5

- Use four M6\*14hexagon flat round head screws to install two screen clips to beams. ( 4pcs )

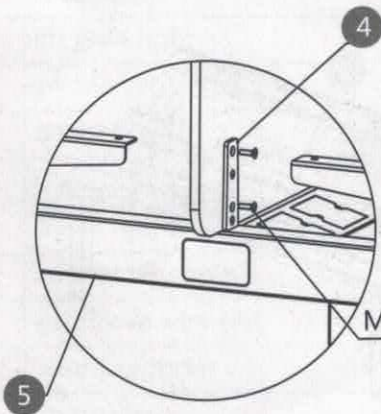


M6x14 hexagon flat round  
head screw

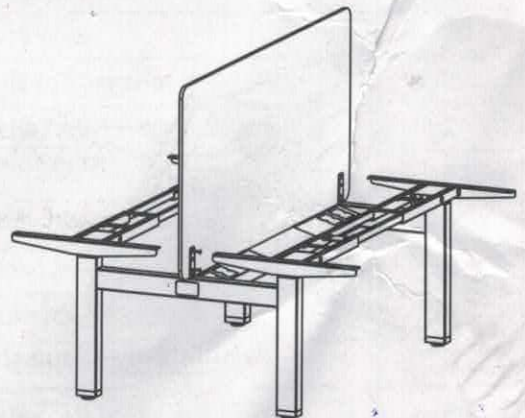


## STEP 6

- Insert screen into screen clips. Use four M6\*20 hexagon countersunk screws to lock the clips. ( 4pcs )



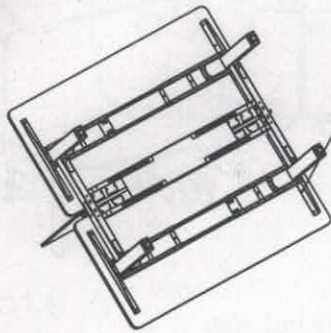
M6x20 countersunk screw



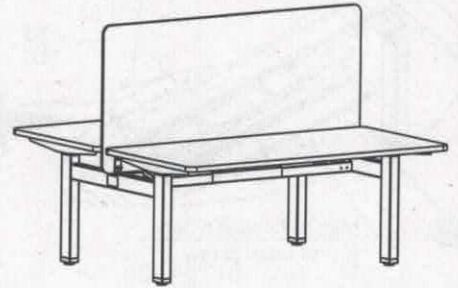
# Assembly instruction

## STEP 7

· Put already-checked desktop under frame, move it to the central place and tighten the pre-fixed screws on frame. Use M6x14 hexagon flat round head screws to tighten it (put soft cushion between desktop and frame, 11 screws for each side. ( 22pcs )

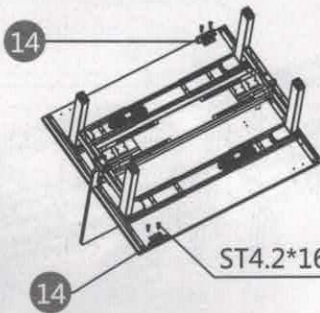


M6x14 hexagon flat round head screw

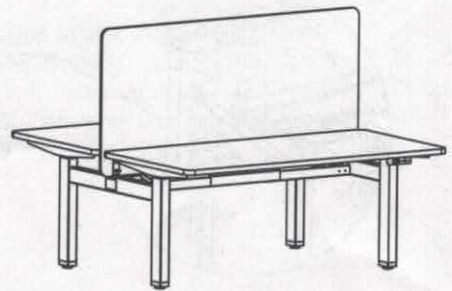


## STEP 8

· Install hand controller to the either side of desk, keep it away from human body or chair, make display screen outwards. Use two ST4.2\*16 tapping screws to fix it. ( 4pcs ) Insert controller into installing pieces.

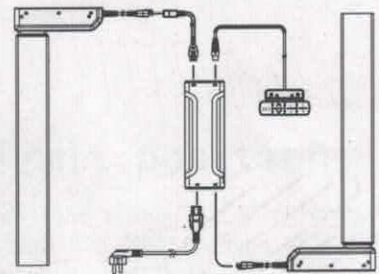
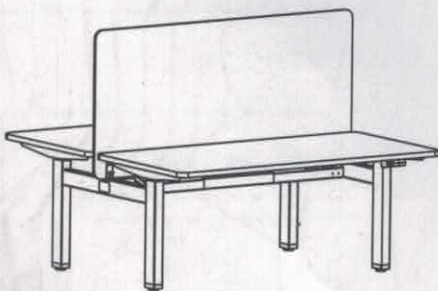


ST4.2\*16 tapping screw



## STEP 9

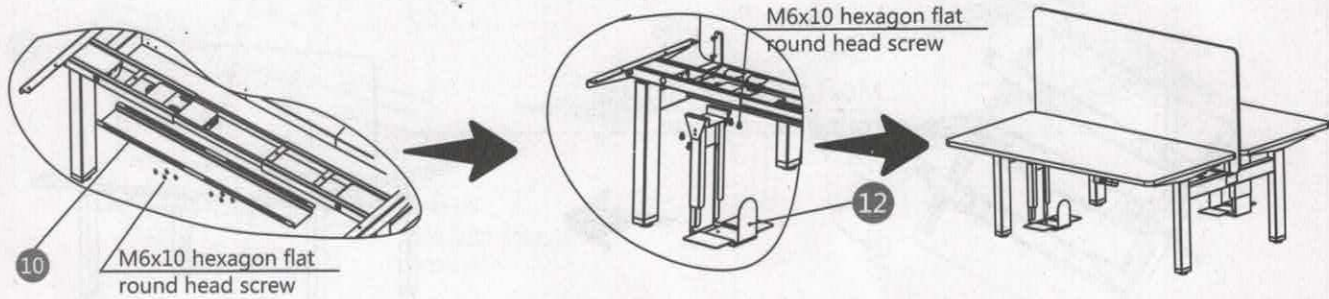
· Connect accessories like controller, hand controller, extension wire, power cord and so on, and fix them with wire clip.



# Assembly instruction

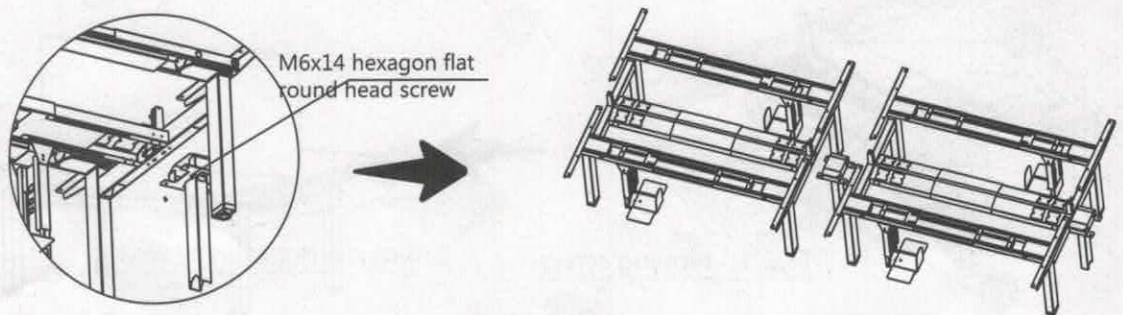
## STEP 10

- Fix wire supporter with eight M6\*10 hexagon flat round head screws. ( 16pcs )
- Fix main frame supporter with four M6\*10 hexagon flat round head screws. ( 8pcs )

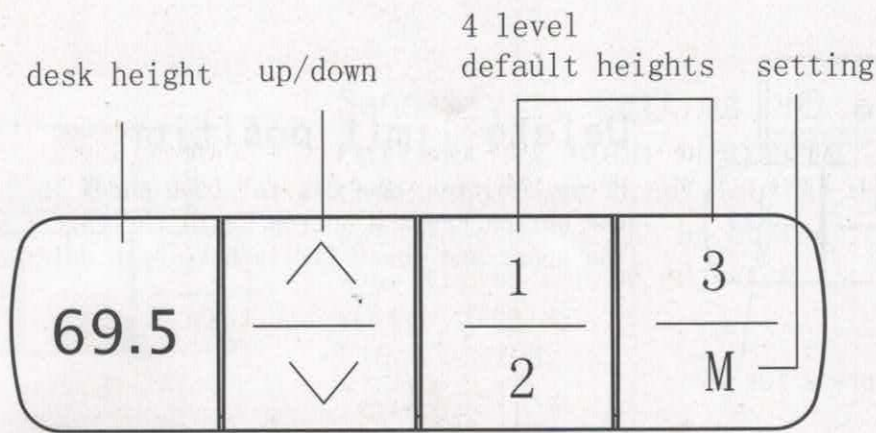


## STEP 11

- For workstation connection , use two M6\*14 hexagon flat round head screw to connect wiring system with beams ; (4pcs)







**Note**

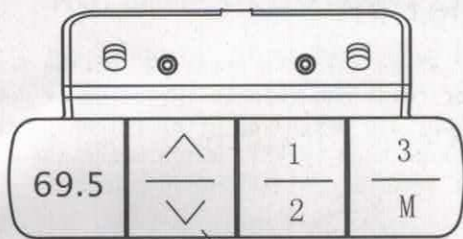
Please make sure there is no obstacle during the operation, and there is a gap between desk and wall. And all wires are long enough to allow the up-down of desk.

**Advice**

Please set up as 1 the most comfortable height when you sit down, and set up as 2 the most comfortable height when you stand up. For the other two heights, you can choose whatever you like.

**Reset abnormality protection**

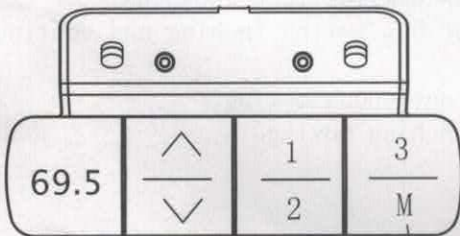
When there is something wrong with controller reported, the digital tube shows E07-E09, Even if it has access to power after a power cut-off, it will still give an error notice no matter what button you press.



long press for 5S

**Operation**

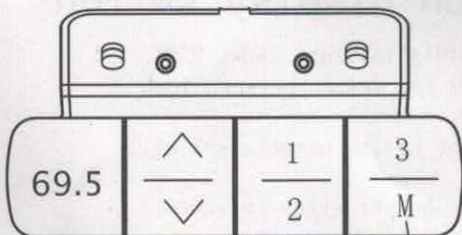
After pressing for 5s and digital tube shows RST, release the button and press the down button, reset will be activated.



long press for 2S

**Set up upper limit position**

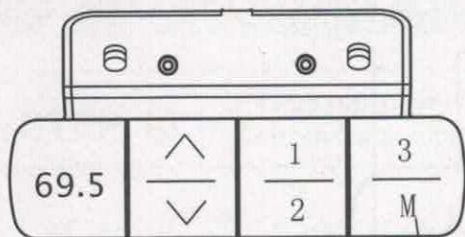
Press M button, the digital tube shows "S-", then release the button. Press the up button, the digital tube will flash once, release the button. Press M button again for 2s, the digital tube shows "999". The upper limit position has been set.



long press for 2S

**Set up lower limit position**

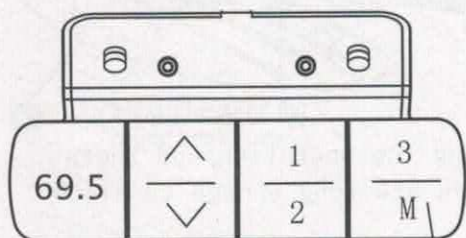
Press M button, the digital tube shows "S-", release the button. Press the down button. The digital tube will flash once. Release the button. Press down M button again for 2s, the digital tube shows "000". The lower limit position has been set.



long press for 2S

## Delete limit position

Press M button, the digital tube shows "S-", release the button. Press M button again for 2S, it shows "555". The upper and lower limits have been deleted.



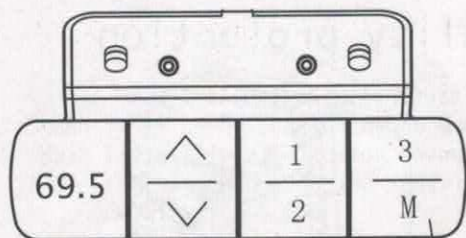
long press for 8S

## Lock

Press M button, the digital tube shows "S-", long press M button for 5S, the digital tube shows numbers. Press M button for 3S, it shows LOC. The buttons on the hand controller are locked.

## Unlock

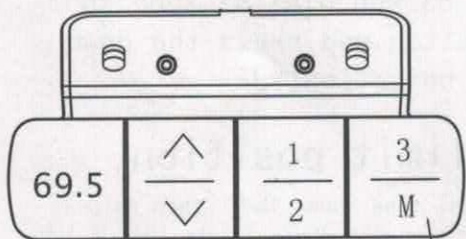
Under the LOC condition, long press M button for 8S, it shows numbers. Buttons on hand controller are unlocked.



long press for 5S

## Revise lowest height

Under the reset condition, it shows RST. Long press "M" button for 5S, it shows the height after reset and twinkles. Press up or down button to adjust to the appropriate height. 5S after releasing the button, the digital tube will go back to RST, which means the amendment is successful.

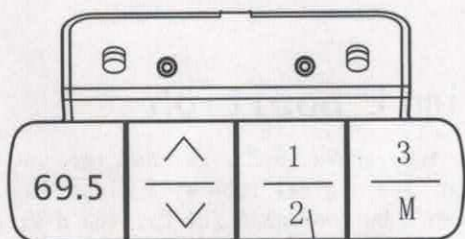


long press for 5S

## Switch between memory inching/continuous moving

Under the reset condition (digital tube shows RST) Long press button "1" for 5s, switch inching and continuous moving.

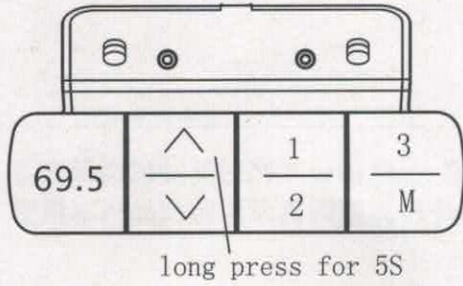
When it shows "10.1", continuous moving.  
When it shows "10.2", inching moving.



long press for 5S

## Centimeter/inch display switch

Under the reset condition (digital tube shows RST), long press "2" for 5s, you can switch between inch display and cm display.  
When it shows "10.3", the height after reset will be shown in cm;  
When it shows "10.4", the height after reset will be shown in inch.



### Sensitivity setting on retreating upon obstacle

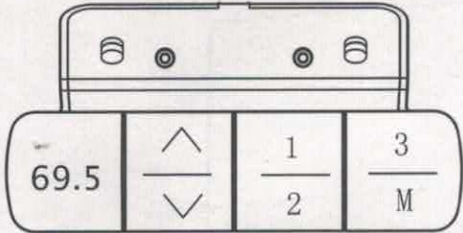
Under the reset condition (the digital tube shows RST), long press the up button for 5S, the sensitivity can be adjusted.

switch display

“10.5” --10kg

“10.6” --15kg

“10.7” --20kg



### Setting of memory position

Press M button, it shows “S-”, select and press one of the memory buttons, current height will be remembered.

Use up/down button to get the desirable height, then repeat the following action.

### Normal problems and solutions

1. If your desk has the following issues, please try resetting:

- Working abnormality
- Hand controller shows RES (reset)
- Hand controller shows error (E07, E08), but motor drive wire is well connected.

2. If it shows HOT (hot), please cut off the power and allow it to cool off for 20 minutes.